

## GoldSeal GSW-24

Normally Closed, Screwed, Brass Body, 24VAC/DC Models



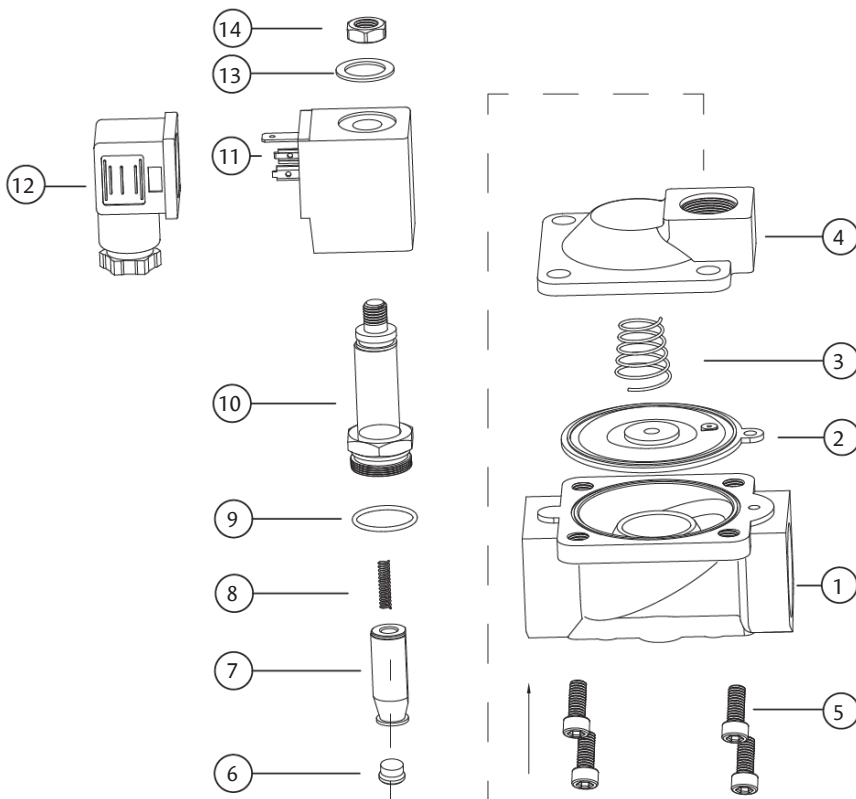
### Key Features:

- 24Vac & 24Vdc Power Input Versions
- WRAS Approved IP65 Rated
- Normally Closed Safety Shutoff
- 1/2" to 2" Screwed Available For This Model

### Product Overview:

Goldseal water solenoid valves are normally closed (N/C) and constructed with a durable brass body, two-way inlet and outlet ports.

### Parts Diagram

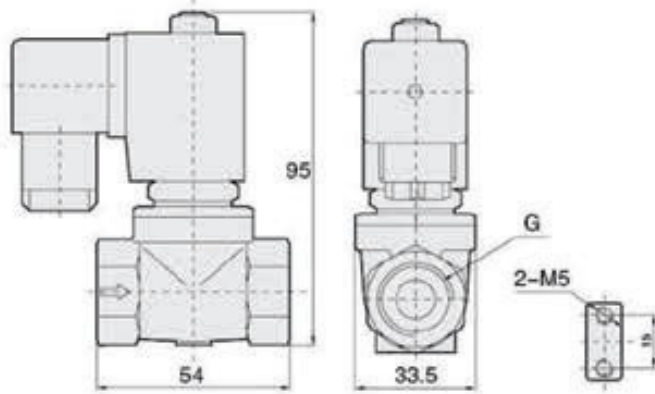


<b>(1) Valve Body</b>	Brass
<b>(2) Diaphragm</b>	EPDM
<b>(3) Diaphragm Spring</b>	Stainless Steel 304
<b>(4) Valve Cover</b>	Brass/Stainless Steel 316
<b>(5) Bolt</b>	Stainless Steel 302
<b>(6) Pilot Seal</b>	EPDM
<b>(7) Pilot</b>	Stainless Steel 1J117
<b>(8) Pilot Spring</b>	Stainless Steel 304
<b>(9) O Ring</b>	EPDM
<b>(10) Plunger Tube Unit</b>	Stainless Steel 304 + 1J117
<b>(11) Coil</b>	Enamelled Wire
<b>(12) Plug</b>	Nylon
<b>(13) Washer</b>	Stainless Steel 302
<b>(14) Lock Nut</b>	Stainless Steel 302

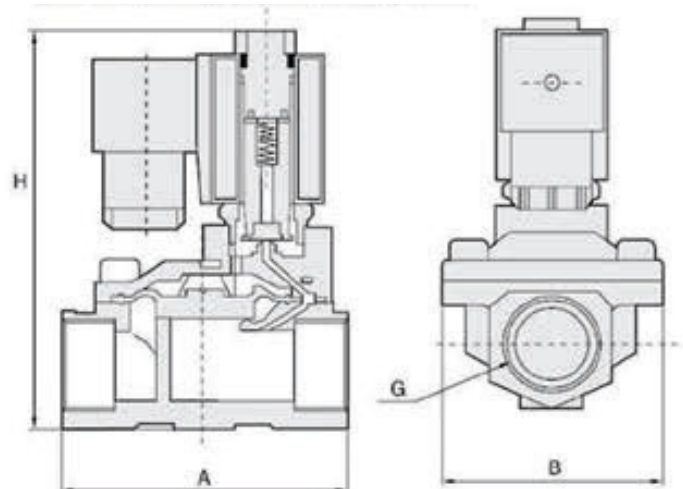
## GoldSeal GSW-24

Normally Closed, Screwed, Brass Body, 24VAC/DC Models

**Orifice: 13mm  
Port: 1/2"**



**Large Orifice  
See Table Below**



## Technical Specifications

Port Size	Orifice	CV Value	Pressure Difference (Bar)				Max. Temp. (°C)	Volt.	VA	Partcode	Main Dimensions
			Min.	Max. Working Pressure							
				Air / Gas	Water / Hot Liquid	Light Oil -20CST					50/60Hz Brass
1/2"	13	4.5	0.5	16	16	120	24VAC	13	GSW13-24VAC	66x48x112	
1/2"	13	4.5	0.5	16	16	120	24VDC	13	GSW13-24VDC	66x48x112	
3/4"	20	7.6	0.5	16	16	120	24VAC	13	GSW20-24VAC	75x58x118	
3/4"	20	7.6	0.5	16	16	120	24VDC	13	GSW20-24VDC	75x58x118	
1"	25	12	0.5	16	16	120	24VAC	13	GSW25-24VAC	96x70x131	
1"	25	12	0.5	16	16	120	24VDC	13	GSW25-24VDC	96x70x131	
1 1/4"	35	22	0.5	16	16	120	24VAC	13	GSW35-24VAC	131x96x146	
1 1/4"	35	22	0.5	16	16	120	24VDC	13	GSW35-24VDC	131x96x146	
1 1/2"	40	30	0.5	16	16	120	24VAC	13	GSW40-24VAC	131x96x146	
1 1/2"	40	30	0.5	16	16	120	24VDC	13	GSW40-24VDC	131x96x146	
2"	50	48	0.5	16	16	120	24VAC	13	GSW50-24VAC	165x120x167	
2"	50	48	0.5	16	16	120	24VDC	13	GSW50-24VDC	165x120x167	